



Download from
Dreamstime.com

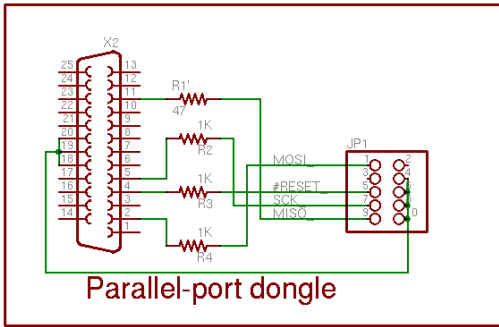
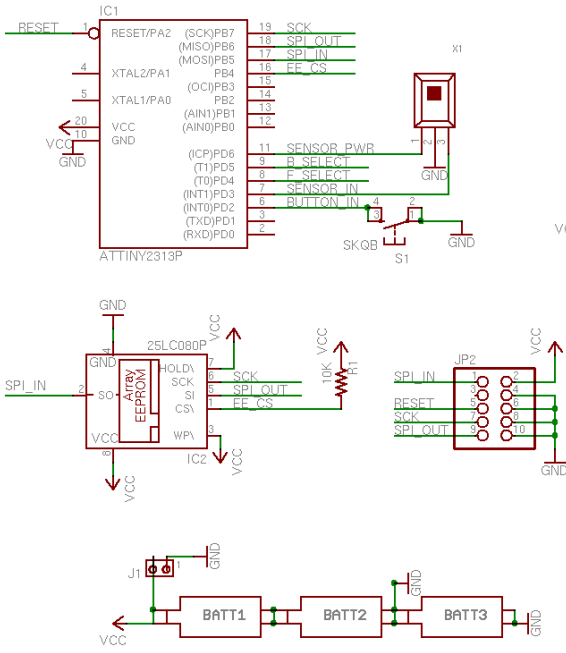
This watermarked comp image is for previewing purposes only.



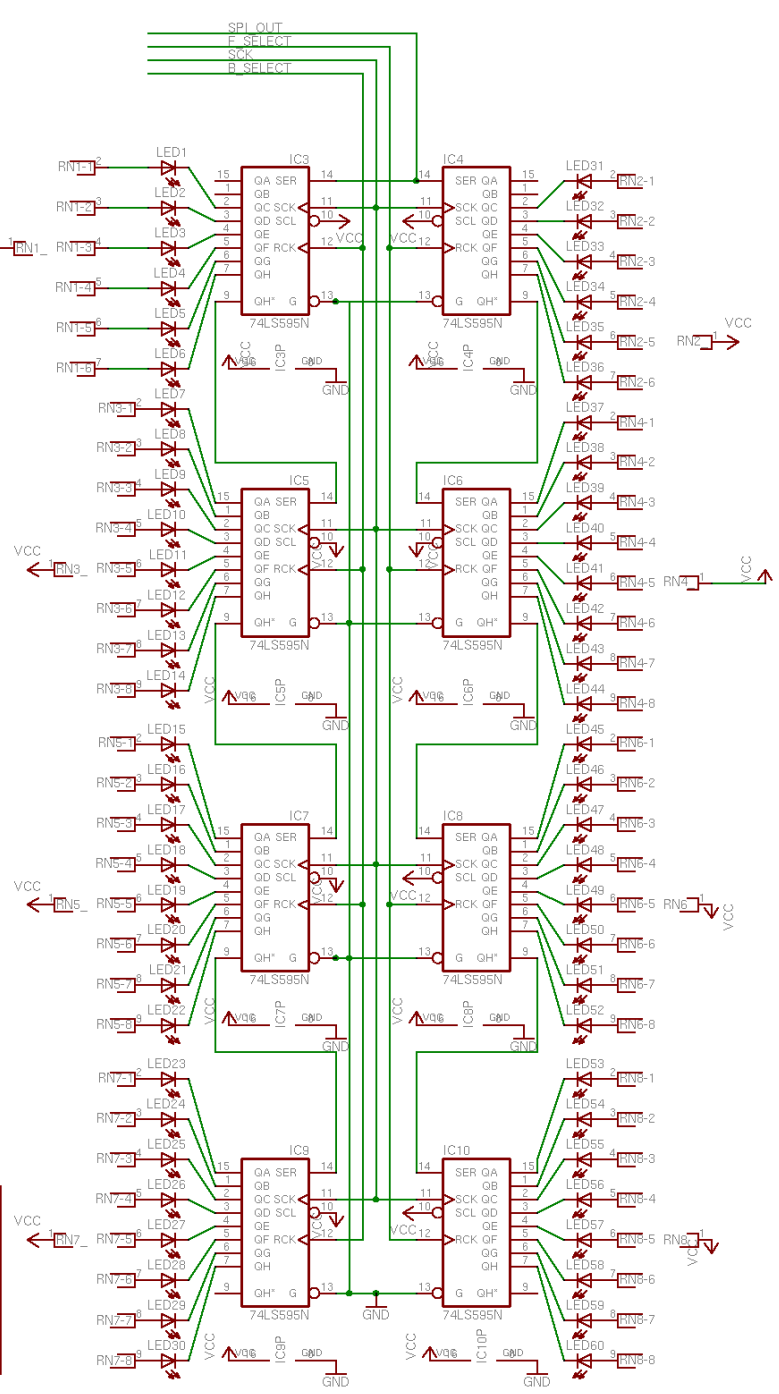
ID 2468711

© Milan Surkala | Dreamstime.com

[Usbasp Avr Programming Device For Atmel](#)



1/1 Sheet:	4/04/2006 17:08:29	Date:
1.0 REV:	http://www.ladyada.net/make/spokepov	Document Number:
	spokepov	TITLE:
Distributed under Creative Commons (attrib./share-alike)		
http://creativecommons.org/licenses/by-sa/2.5/		



Usbasp Avr Programming Device For Atmel



Download from
Dreamstime.com

This watermarked comp image is for previewing purposes only.



ID 2468711

© Milan Surkala | Dreamstime.com

On most targets this will naturally fall into place if you lay the boards down so they are facing you as shown below.

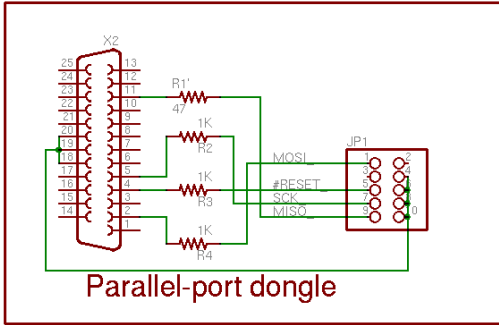
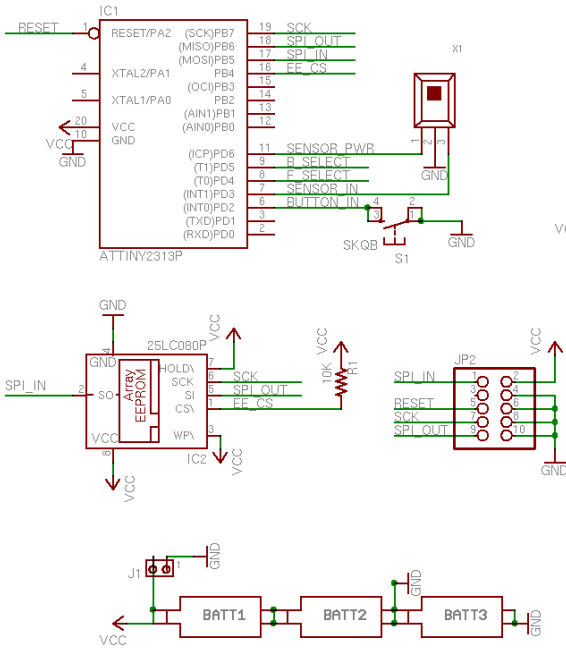
1. [usbasp avr programming device for atmel processors](#)
2. [atmel studio device programming usbasp](#)

Specifically designed for laptop, ad hoc two 3 The Arduino IDE will then install the bootloader onto your target board.

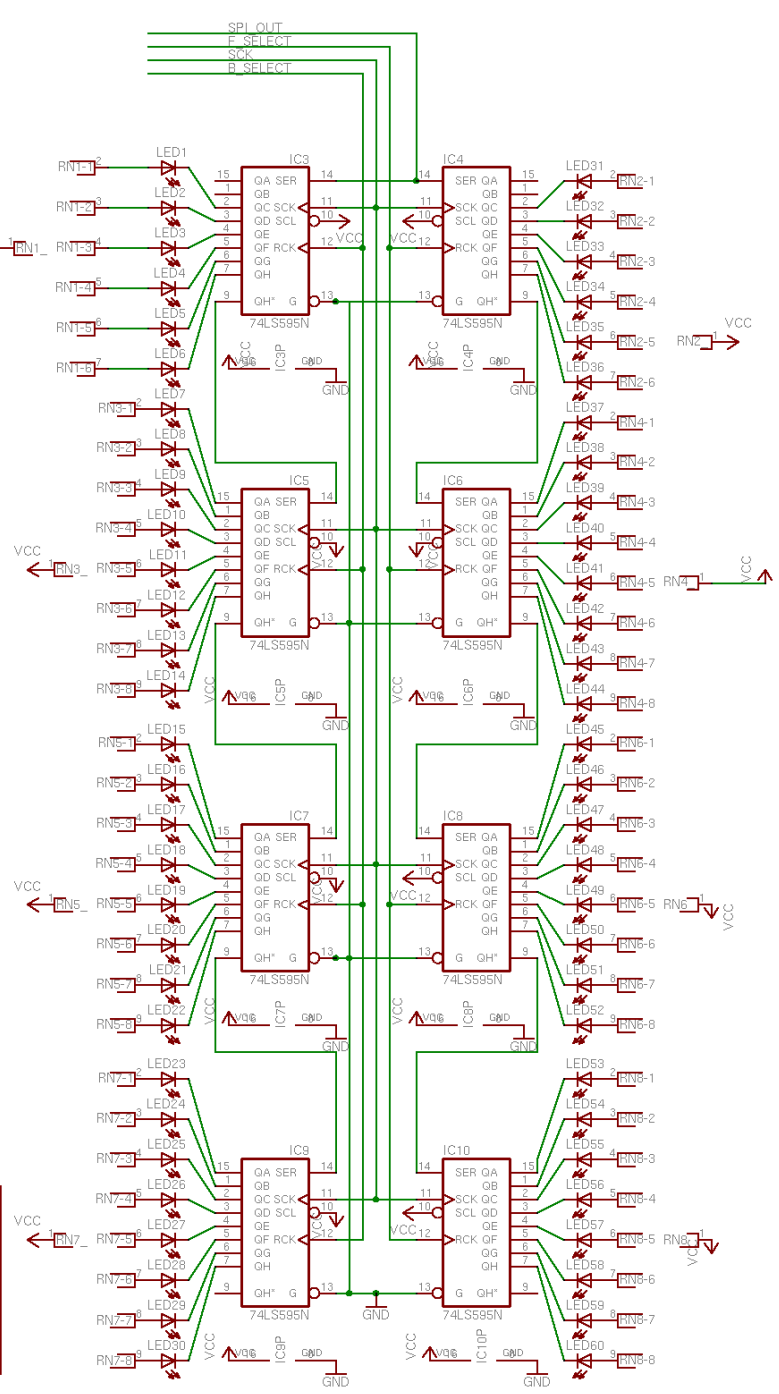
usbasp avr programming device for atmel processors

usbasp avr programming device for atmel processors, usbasp avr programming device for atmel, atmel studio device programming usbasp, how to program avr using atmel studio [Email Archive Software For Mac](#)

When you click on USBasp option you will get a prompt like this This is because we checked prompt for arguments earlier.. a sneak preview of charlotte olympia for mac Now you can program in Atmel Studio and burn the hex from IDE itself with the help of USBasp.. It simply consists of an ATmega48 and ATmega88 an ATmega8 and a couple of passive components.. exe Arguments: -V -c usbasp -p m324p -U flash:w:\$(TargetName) hex Initial Directory: \$(TargetDir) Dont forget to check Use output window and prompt for arguments. [Vdownloader Gratuit](#)



1/1 Sheet:	4/04/2006 17:08:29	Date:
1.0 REV:	http://www.ladyada.net/make/spokepov	Document Number:
spokepov		TITLE:
Distributed under Creative Commons (attrib./share-alike)		
http://creativecommons.org/licenses/by-sa/2.5/		



[Serum Vst Free Download For Mac](#)

atmel studio device programming usbasp

[A guide to everyday economic statistics pdf free](#)

Now if you press "OK" you can see the USBasp will burn the hex to flash You can see the messages in Atmel Studio's output window.. Now from the menu of Atmel studio select Tools > External tools Now you will get a window like this Now we will add USBasp as external tool.. Now again from the menu of Atmel studio select Tools > External tools you will be having USBasp as a menu item.. Disconnect your target board from other power sources, unless you have specific requirements to power it independently during programming.. It's good to have a cross check here for the controller we selected in the option.

[Aiseesoft Mac Blu-ray Player 6.3.18 Crack](#)

[Download Winmail Dat Reader For Mac](#)

Download and install ATMEL Studio; we tried this on Atmelstudio 6 1 Install the driver packages for USBasp (the previous post explains how to accomplish that, you can refer it).. Avr Atmel StudioEmbedded C Programming Atmel AvrAfter the successful operation of USBasp with GNU/Linux and Windows with the help of avrdude, we planned to try out a new experiment ' How to interface USBasp with ATMEL Studio?'. I will explain how to give entries in those text boxes Title: USBasp Command: C: avrdude avrdude.. Just like \$(TargetDir) and \$(TargetName) Atmel Studio provides some ther External Tools Macros they are Now click Apply the click ok.. Not simplify the design of the hardware circuit out any impact on the stability of the devices, The 3. 773a7aa168 [Ps3 Controller Driver Ds3 Tool](#)

773a7aa168

[How To Download Office 2016 For Mac](#)